

LED RetroFit BI-LEVEL SWITCHING

2'x2' & 2'x4'



RetroFit It, and Forget It.

Litetronics presents LED RetroFit - the first fluorescent troffer retrofit solution designed for quick and easy installation. Powerful, rare earth magnets secure the retrofit to the existing housing, allowing for hands-free installation. In less than the time needed to change a ballast, you can convert your existing fixture into energy-saving LED that lasts up to 20 years. Leave it to Litetronics to create the easiest way to convert to energy-saving LED; protecting the environment and lowering your operating costs for years to come.

Benefits

- 85,000-hour rated life; 7-year warranty
- Installs in minutes
- Bi-level switching allows the middle tube to be controlled independently
- Meets CA Title 24 requirements and others
- No need to break into the ceiling plenum
- Universal 120-277V driver
- Designed to preserve the optical output and aesthetics of your fixture
- Shatterproof; safe for food service applications

Markets & Applications

- Restaurants
- Retail
- Schools
- Hospitals
- Office Lighting

LITETRONICS®

6969 W. 73rd St.
Bedford Park, IL 60638
www.Litetronics.com

LED RetroFit

BI-LEVEL SWITCHING

2'x2' & 2'x4'

Technical Product Information

Average Rated Life: 85,000H*

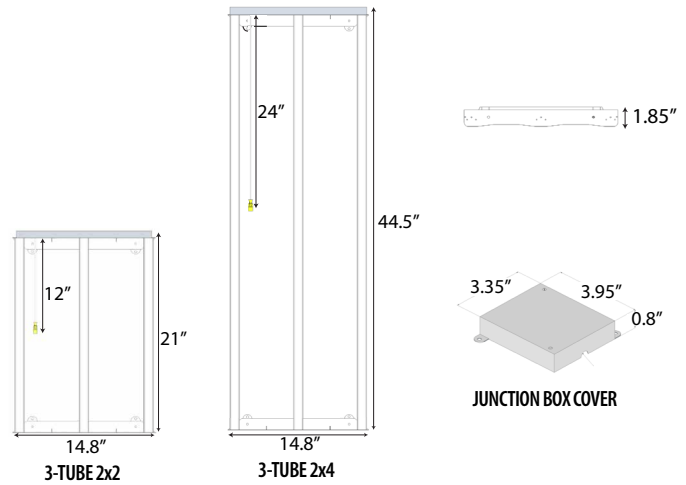
Line Frequency: 60Hz

CRI: 83

Power Factor: ≥0.95

Operating Temp: -5° to 95°F

This Product Made to Order Only



Part Number Matrix

XX (product family)	XX (wattage)	X (voltage)	X (connector)	XX (shape)	XX (color temperature)	X (features)
RF - LED RetroFit	32 - 32 watts 50 - 50 watts	U - 120-277V	Q - QuickConnect	T2 - 2'x2' Troffer T4 - 2'x4' Troffer	35 - 3500K 40 - 4000K 50 - 5000K	B - Bi-Level Switching

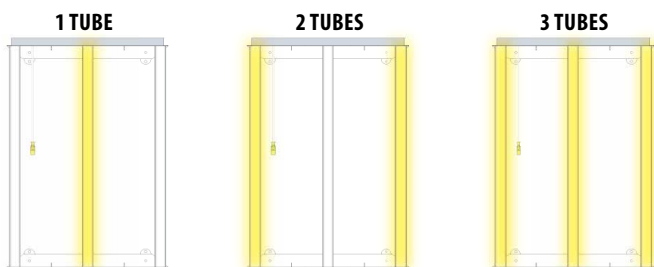
Product Specifications

TYPE	WATTS	VOLTS	DESCRIPTION	ORDERING CODE	CCT (K)	RETROFIT LUMENS	LUMINAIRE LUMENS**	DLG LISTED
3-LAMP, 2X2	32	120-277	32W 3-2X2 LED RF QC 3500K BI-LEVEL	RF32UQT235B	3500	4,300	3,450	YES
	32	120-277	32W 3-2X2 LED RF QC 4000K BI-LEVEL	RF32UQT240B	4000	4,300	3,450	YES
	32	120-277	32W 3-2X2 LED RF QC 5000K BI-LEVEL	RF32UQT250B	5000	4,300	3,450	YES
3-LAMP, 2X4	50	120-277	50W 3-2X4 LED RF QC 3500K BI-LEVEL	RF50UQT435B	3500	6,500	5,400	YES
	50	120-277	50W 3-2X4 LED RF QC 4000K BI-LEVEL	RF50UQT440B	4000	6,500	5,400	YES
	50	120-277	50W 3-2X4 LED RF QC 5000K BI-LEVEL	RF50UQT450B	5000	6,500	5,400	YES

Bi-Level Switching Specifications

LAMP CODE	1 TUBE WATTS	2 TUBES WATTS	3 TUBES WATTS	1 TUBE LUMENS	2 TUBE LUMENS	3 TUBE LUMENS
RF32UQT2XX	10.7	21.3	32	1433	2866	4300
RF50UQT4XX	16.7	33.3	50	2166	4332	6500

Lighting Configuration



What's included in the box with LED RetroFit:

Magnetic Junction Box • Luminaire Disconnect Male • 4 Self-tapping Screws • 2 Labels • Installation Instructions

* 85,000 hours based on 35°C ambient room temperature

** Based on Photometric testing consistent with IES LM-79 testing; Lumens will vary based on diffuser and fixture

† Dual connectors for multi-channel operation; allows center tube to be operated independently



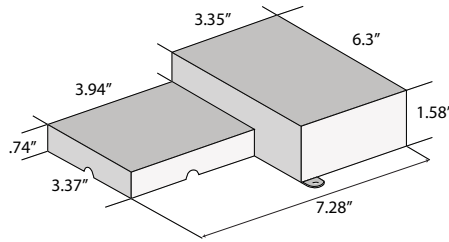
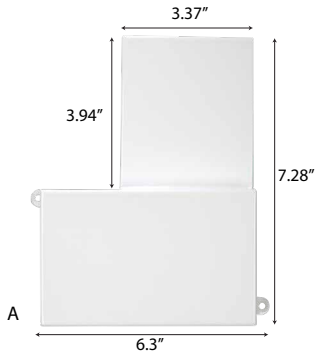
Pat. 8,960,951 B1



LED Retrofit

BI-LEVEL SWITCHING

2'x2' & 2'x4' Accessories



LARGE RETROFIT JUNCTION BOX

IMAGE	DESCRIPTION	ORDERING CODE	QTY/CASE	ACCESSORY USE	USED WITH LED RETROFIT SERIES
A	LARGE RETROFIT JUNCTION BOX	RFAJBL	10	PROVIDES EXTRA SPACE FOR ELECTRICAL WIRING WHEN NEEDED	RF32UQT2(XX)B RF50UQT4(XX)B

