

## LED PAR

PAR20, PAR30LN, PAR38



### Everything You Want in an LED Reflector.

LITETRONICS' LED PAR use the latest LED chip-on-board (COB) technology which results in consistent color, and a centrally-located light source that looks like halogen. In conjunction with our optimally-designed optics lens, they provide comfortable, glare-free lighting. LITETRONICS' demanding dimming criteria ensures they dim, flicker-free on a wide variety of dimmers. Since LED lighting needs to operate efficiently as well as look great, LED PAR is designed to replace up to a 90-watt halogen, while saving 82% in energy costs. They feature an ultra-lightweight heatsink that optimizes heat management and provides maximum reliability. LITETRONICS LED PAR: cutting-edge lighting with classic appeal.

### Benefits

- Chip-on-board (COB) technology
- Dimmable
- 30,000-hour life
- Up to 82% energy savings compared to halogen
- Lightweight; won't weigh down fixtures
- 3-year warranty

### Markets & Applications

- Cinema
- Restaurants
- Hospitality
- Retail
- Dimmable Fixtures
- Track Lighting
- Recessed Cans

**LITETRONICS®**

6969 W. 73rd St.

Bedford Park, IL 60638

[www.Litetronics.com](http://www.Litetronics.com)

# LED PAR PAR20, PAR30LN, PAR38

## Technical Product Information

**Rated Life:** 35,000 H

**Volts:** 120V

**Line Frequency:** 60Hz

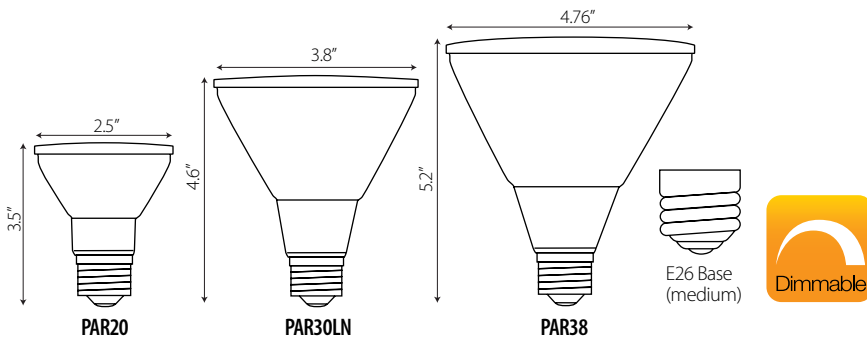
**Reliable Operating Temperatures:** -5° to 110°F

**Power Factor:** ≥0.9

**Other, CCTs Available:** 5000K

## Compatible Dimmers

Available online at: [Litetronics.com/dimmers](http://Litetronics.com/dimmers)



SHAPE	WATTS	DESCRIPTION	ORDERING CODE	BEAM SPREAD	BEAM ANGLE	CASE QUANTITY	CCT (K)	CRI	LUMENS	C.B.C.P.*	EFFICACY (LUMENS-PER-WATT)
PAR20	8	8W PAR20 MED 120V FL 4000K 30,000H	LP08560FL6D	FLOOD	40	6	4000	83	600	1,038	75
	8	8W PAR20 MED 120V NF 2700K 30,000H	LP08560NF2D	NARROW FLOOD	25	6	2700	83	550	1,568	69
	8	8W PAR20 MED 120V WF 2700K 30,000H	LP08560WF2D	WIDE FLOOD	60	6	2700	83	550	669	69
	8	8W PAR20 MED 120V WF 3000K 30,000H	LP08560WF4D	WIDE FLOOD	60	6	3000	83	550	669	69
PAR30LN	15	15W PAR30LN MED 120V NF 2700K 30,000H	LP15564NF2D	NARROW FLOOD	25	6	2700	83	1,000	3,431	67
	15	15W PAR30LN MED 120V FL 3000K 30,000H	LP15564FL4D	NARROW FLOOD	25	6	3000	83	1,000	3,431	67
	15	15W PAR30LN MED 120V WF 2700K 30,000H	LP15564WF2D	WIDE FLOOD	25	6	2700	83	1,000	1,231	67
	15	15W PAR30LN MED 120V WF 3000K 30,000H	LP15564WF4D	WIDE FLOOD	25	6	3000	83	1,000	1,231	67
PAR38	16	16W PAR38 MED 120V NF 2700K 30,000H	LP16566NF2D	NARROW FLOOD	40	6	2700	83	1,050	3,714	66
	16	16W PAR38 MED 120V NF 3000K 30,000H	LP16566NF4D	NARROW FLOOD	40	6	3000	83	1,050	3,714	66
	16	16W PAR38 MED 120V WF 3000K 30,000H	LP16566WF4D	WIDE FLOOD	40	6	3000	83	1,050	1,287	66

Not for use in totally enclosed fixtures.

\* = Center Beam Candle Power



**LITETRONICS®**