

## LED 23W EMERGENCY BATTERY BACKUP



The Litetronics Emergency Battery Backup provides peace of mind in times of power loss, delivering up to 23 watts for 90 minutes with no light degradation.

Options are available for both on-unit (EB23UQ) and remote (EB23UQB) installations, ensuring compatibility across a wide range of luminaires and retrofits. Both units function with our 0-10V dimmable products and each unit includes an integrated test switch and pilot light for added peace of mind. The remote mounted (EB23UQB) option comes with 18" of conduit, which can be run to your fixture from a nearby mounting location, but the unit itself can be mounted up to 200 feet away from the fixture.

Both units include a battery, charger, driver module and test switch integrated into one compact design. Rare earth magnets contribute to an easy installation process, enabling the installer to attach the unit to any metal surface while finalizing placement and wiring.

### KEY FEATURES

- 90-minute operating time in power shortage, delivering 23 watts with no light degradation
- Works with 0-10V dimmable LED retrofits and luminaires
- Integrated test switch with pilot light
- Meets or exceeds all National Electrical Code and Life Safety Code Emergency Lighting Requirements
- Suitable for damp locations
- Can be mounted on-unit or up to 200 feet away from the fixture
- 5-year warranty
- One piece design with metal housing
- Rare earth magnets enable easy installation

### MARKETS

- Schools and universities
- Offices and municipal buildings
- Healthcare facilities and hospitals
- Warehouse & storage
- Industrial facilities
- Sports facilities & gyms
- Manufacturing facilities
- Retail centers



# ORDERING INFORMATION

## EMERGENCY BATTERY BACKUP UNITS

WATTS	VOLTS	ORDERING CODE	DESCRIPTION	COMPATIBILITY
23	120-277	EB23UQ	23W 120-277V WH QC Emergency Battery Backup	See below
23	120-277	EB23UQB	23W 120-277V WH 18" Conduit Emergency Battery Backup	See below

## ACCESSORIES

ORDERING CODE	DESCRIPTION	USAGE	COMPATIBILITY
EBA45-12V	Replacement Battery 4500mAh 12V	Replacement battery for emergency backup unit	EB23UQ & EB23UQB
EBA501	Remote test switch for Emergency Battery Backup	Remote switch can be wired into the EBB unit, then mounted remotely (up to 50 feet from the unit). Includes 6' of wiring.	EB23UQ & EB23UQB



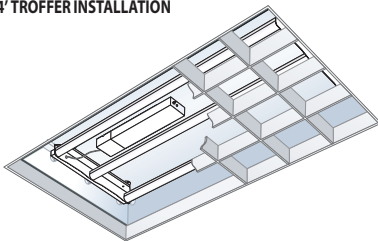
## COMPATIBILITY LIST

**EB23UQ** is compatible with the following Magnetic Retrofit and TLED part numbers:

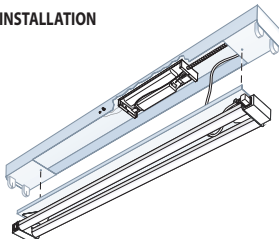
0-10V DIMMING	BI-LEVEL DIMMING
RF16UQT1XXDL	RF32UQT2XXB
RF16UQT1XXCDL	RF50UQT4XXB
(2) RF16UQT1XXCDL*	<b>ADJUSTABLE WATTAGE</b>
RF32UQT1XXDL	RFM3T2XXA
RF32UQT1XXCDL	RFM2T4XXA
(2) RF32UQT1XXCDL *	RFM3T4XXB
RF32UHT1XXDL	<b>BYPASS T8 LED TUBES</b>
RF32UQT2XXDL	LT09T828XXB1
RF32UQT4XXDL	LT18T848XXB1
RF50UQT4XXDL	LT14T848XXB2
NON-DIMMING	
RF16UQT1XXC	
RF22UQT2XX	
RFM131T1XX	
RFM262T1XX	

\* 2 units can be connected in a series

### 2' x 4' TROFFER INSTALLATION



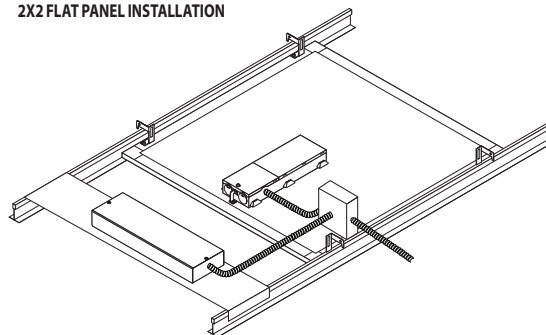
### 4' STRIP INSTALLATION



**EB23UQB** is compatible with the following retrofit and luminaire part numbers:

STRIP FIXTURES	FLAT PANELS	ROUND HIGH BAY EXT	NSF HIGH BAY
SF24UQS4XXDL	FP030UF1XXDL	HB125XXXXDL	HBF100W7XXDLP
SF30UQS4XXDL	FP030UF1XXDLP	HB185XXXXDL	<b>VOLUMETRIC RETROFITS</b>
SF40UQS4XXDL	FP030UF2XXDL	HB220XXXXDL	VR29UQT2XXDLP
SF40UQS8XXDL	FP030UF2XXDLP	<b>ROUND HIGH BAY SL</b>	VR39UQT4XXDLP
SF50UQS8XXDL	FP040UF2XXDL	HB100WXXXDLP	VRT2XX
SF64UQS8XXDL	FP040UF4XXDLP	HB150WXXXDLP	VRT4XX
<b>STRIP RETROFITS</b>	FP050UF4XXDL	HB200WXXXDLP	VRT1XX
SR24UQS4XXDL	FP050UF4XXDLP	<b>ROUND HIGH BAY PL</b>	<b>FLAT PANEL RETROFITS</b>
SR30UQS4XXDL	<b>LINEAR HIGH &amp; LOW BAYS</b>	HBC115WXXDLP	RP29UQT2XXDLP
SR64UQS8XXDL	LLB075UK2XXDL	HBC175WXXDLP	RP39UQT4XXDLP
<b>GARAGE LIGHT</b>	LHB110UK2XXDL	HBC240WXXDLP	<b>LIGHT PANEL RETROFITS</b>
GL39URXXDLP	LHB185UM2XXDL	<b>HAZARD LOC HIGH BAY</b>	PRT2XX
GL59URXXDLP	LLB60UR2XXDLP	HBE150BXXXDLP*	PRT4XX
<b>LIGHT PANEL</b>	LHB88UR2XXDLP	HBE200BXXXDLP*	PRT1XX
PT2XX	LHB112UR2XXDLP	* Warning: EB23UQB should be installed in non-hazardous location	<b>VOLUMETRIC TROFFER</b>
PT4XX	LHB148US2XXDLP		VLT2XX
PT1XX	LHB248UV2XXDLP		VLT4XX
			VLT1XX

### 2X2 FLAT PANEL INSTALLATION



## SPECIFICATIONS

**Average rated life:** 50,000 hours

**Warranty:** 5 years

**Operating temperature:** 32°F to 113°F

**Output voltage:** 150Vdc

**Output current:** 160mA

**Output power:** 23 Watts

**Operation time:** 90 minutes

**Input frequency:** 50/60 Hz

**Battery:** Ni-MH 12V 4.5AH

**Recharge time:** 24 hours

**Power Factor:**  $\geq 0.95$

**Weight:** 4.1 lbs.

**Location rating:** Damp

**UL/cUL listed:** Yes

**RoHS compliant:** Yes

## MOUNTING

**EB23UQ:** Metal troffers, strips or wraps

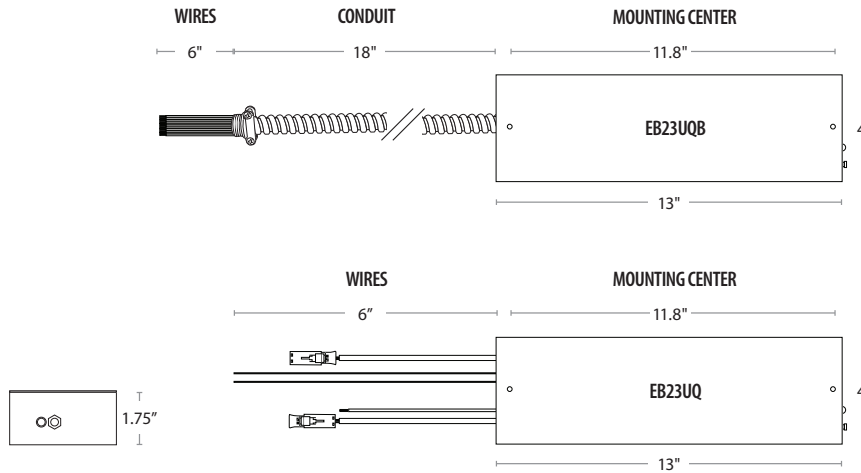
**EB23UQB:** Remote mounting

## ACCESSORIES

Replacement battery

Remote test switch

## SIZING



## WHAT COMES IN THE BOX

### EB23UQ

- Emergency battery pack with magnets
- (1) Female quick connect (attached to male end)
- (1) Male quick connect (attached to female end)
- (3) Self-tapping screws
- (4) Wire nuts
- (1) Strain relief bushing
- (1) Junction box
- Installation Instructions

### EB23UQB

- Emergency battery pack with magnets and 18" of conduit
- (1) Test switch
- (1) LED indicator and holder
- (2) Self-tapping screws
- (12) Wire nuts
- Installation instructions